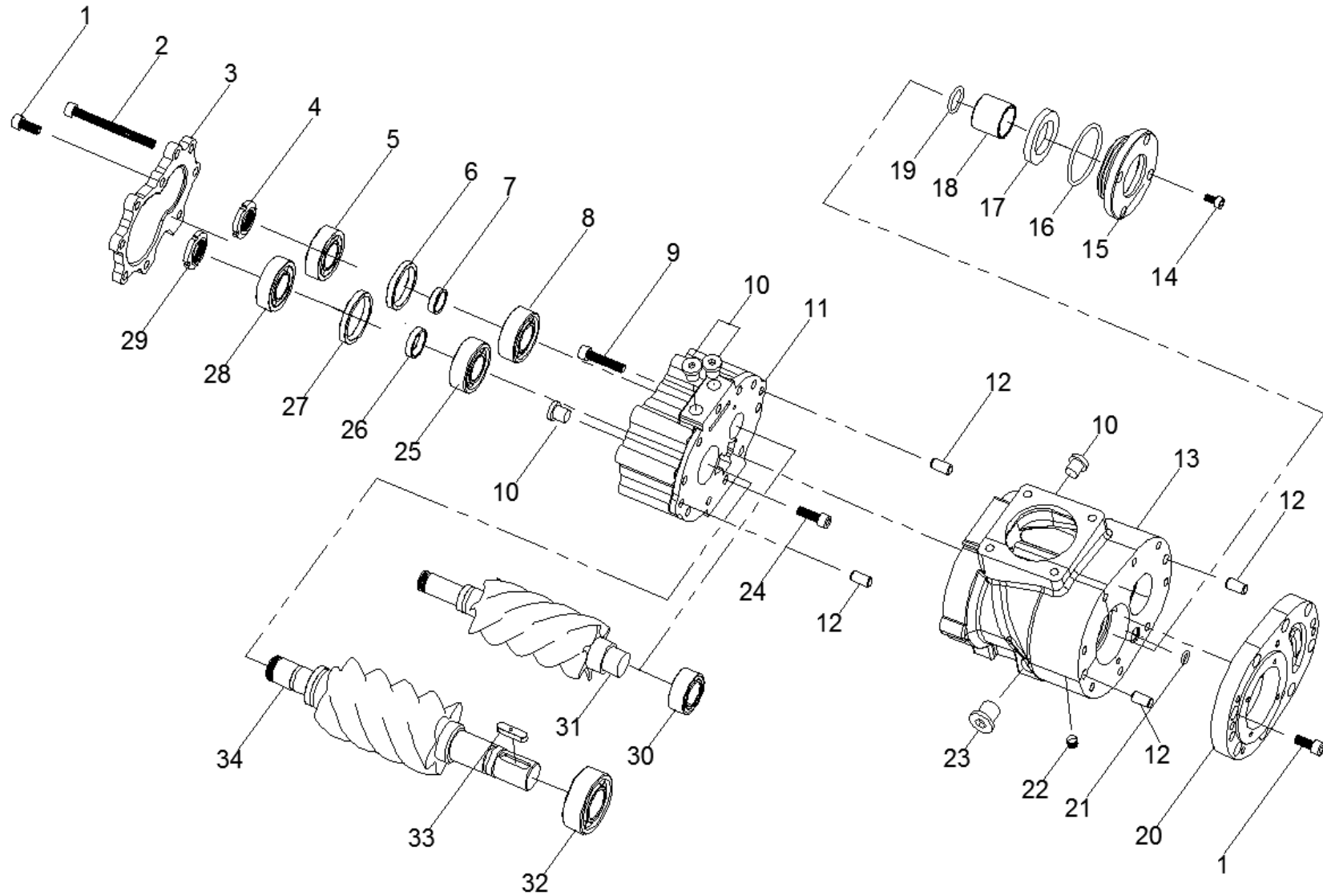


AA-077 Construction BOM



AA-077 Construction BOM

Item	Number	Description	Quantity	Item	Number	Description	Quantity
1	4301-108020-C	Bolt	9	21	4201-VP012	O-Ring	1
2	4301-108095-C	Bolt	8	22	4305-107	Plug	1
3	35320-1101AA	Discharge Cover Plate	1	23	4305-926	Plug	1
4	4302-220	KM Nut	1	24	4301-108025-C	Bolt	1
5	4101-7204BUO	Bearing Spacer	1	25	4102-NU2205E	Bearing	1
6	35320-113AAA	Spacer Ring	1	26	35320-1134AA	Spacer Ring	1
7	35320-1137AA	Spacer Ring	1	27	35320-113DAA	Spacer Ring	1
8	4102-NU2204E	Bearing	1	28	4101-7205BUO	Bearing	1
9	4301-108040-C	Bolt	1	29	4302-225	KM Nut	1
10	4305-924	Plug	4	30	4103-NA4905	Bearing	1
11	35320-1131AB	Bearing Seat	1	31	35320-1133AB	Female Rotor	1
12	35320-1164AA	Parallel Pin	4	32	4102-NU2206E	Bearing	1
13	35320-1141AC	Housing	1	33	35320-1164AA	Parallel Key	1
14	4301-106012-C	Bolt	4	34	35320-1132AC	Male Rotor	1
15	35320-1161AA	Seal Cover	1				
16	4201-VG060	O-Ring	1				
17	4203-035055L	Shaft Seal	1				
18	4807-08	Bush	1				
19	4201-VG025	O-Ring	1				
20	35320-1163AB	Front Cover Plate	1				